

OJO Compact Battery indicators

Available in different voltages and models, featuring an optional electric output.

LEAD LEVEL				LED Status
OJO 12	OJO 24	OJO 36	OJO 48	
≥ 11,00 V	≥ 21,50 V	≥ 33,25 V	≥ 44,50 V	
< 11,00 V	< 21,50 V	< 33,25 V	< 44,50 V	
≥ 10,60 V	≥ 20,50 V	≥ 32,05 V	≥ 43,00 V	
< 10,60 V	< 20,50 V	< 32,2 V	< 43,00 V	
≥ 10,30 V	≥ 20,00 V	≥ 31,55 V	≥ 42,00 V	
< 10,30 V	< 20,00 V	< 31,50 V	< 42,00 V	



MONITOR YOUR BATTERY
EASILY

Battery Level may actually vary depending the battery model
OJO Plus activates the electric contact when red led blinks

MAIN FEATURES

MODEL	OJO	OJO PLUS
Battery Display	x	x
Output (1x500mA)	-	x
Battery Line diagnostic	-	-
Supply	12-24-36-48 VDC	
Consumption	20mA	
Battery type Selector	x	x
Protection (Polarity)	x	x
Connection	Faston 4.8 mm	Faston 6.35 mm
Operating Temperature	0-40 °C	
Rel. hum. Operative range	5-95%	
Dimensions:	30,2 mm ø x 13,2 mm	
Weight	14 g	

SMART BATTERY DISPLAY

12

24

36

+

48

Important:

OJO is a component.

Read and understand this instructions before operating OJO.

Use an Ojo suitable for the voltage in use on your device.

Ojo must be used only in DC application.

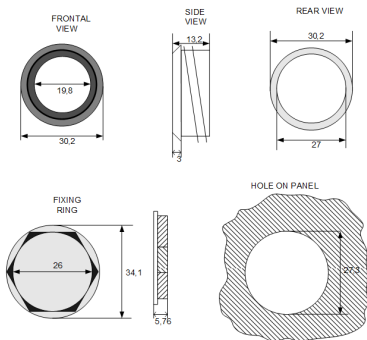
Improper use of this display can cause damage, shock, injury or death.

This device is not a toy and must not reach children's hands.

When installing Ojo, make sure to disconnect the battery from the circuit where you are operating.

This Display is intended for indoor use.

Fig.1



Installing instructions:

- refer to fig 1 for the suggested wiring

- refer to fig 2 for the hole dimension

- refer to fig 3 for the max operating current

- remove the rear jumper according the type of battery in use (Lead=inserted

Fig.3

MAXIMUM OPERATING VOLTAGE			
OJO 12	OJO 24	OJO 36	OJO 48
18 V	30 V	42 V	58 V

Fig.1

